

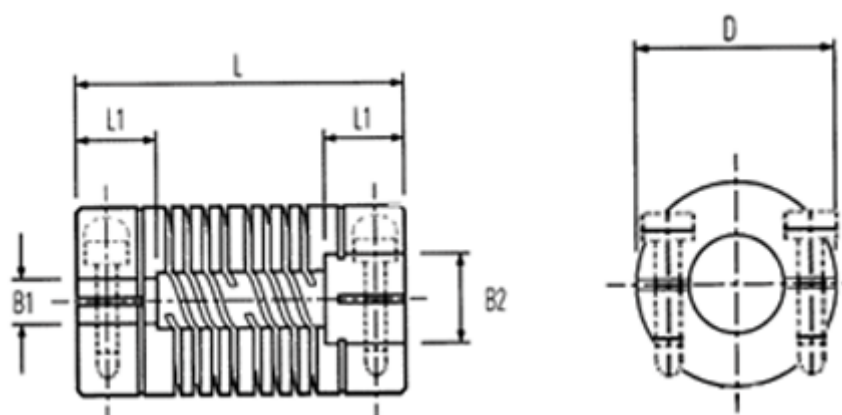
# Data Sheet



Article number: 339703440000

Description: Multibeam 6 Coupling 703.44.0000  
St. steel & clamp hubs

## Measures



B2: Pre-drilled	= 9.0
B2: Pre-drilled	= 14.00
Cap screw	= M5
D	= 44.5
L	= 76.2
L1	= 20.0
Max angular displacement	= 0.80
Max B1 & B2	= 22.00

Max parallel displacement	= 7
Peak Torque NM	= 48.00